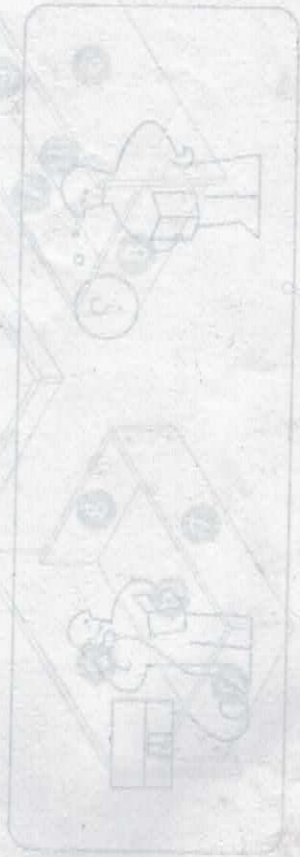
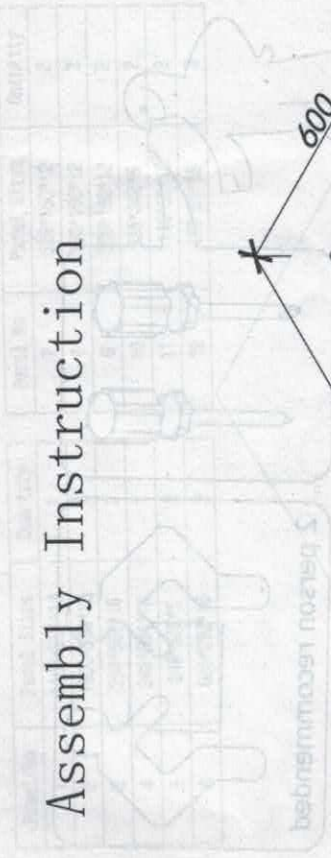
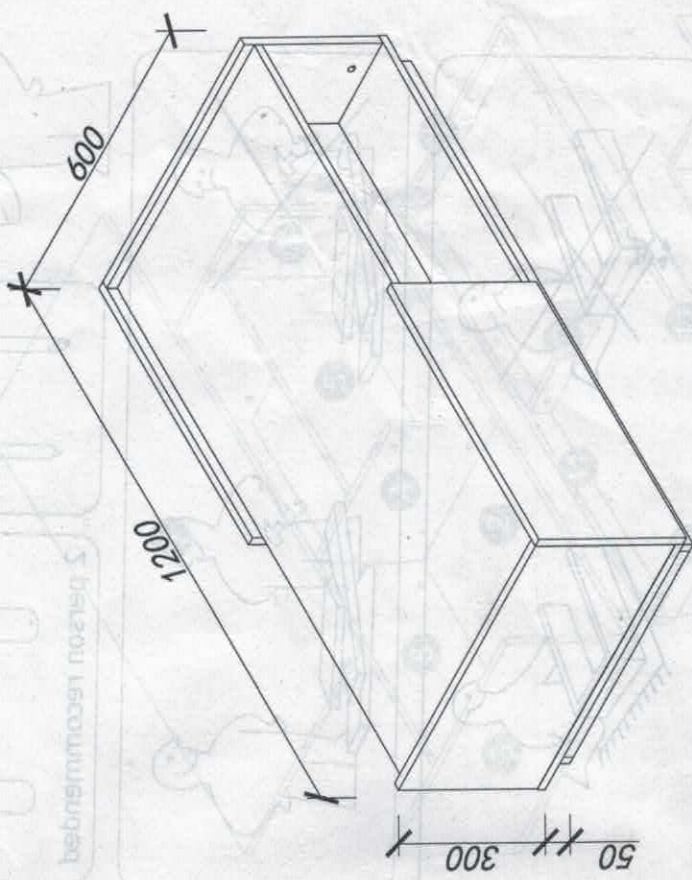
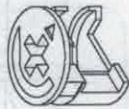


Assembly Instruction



# Fittings

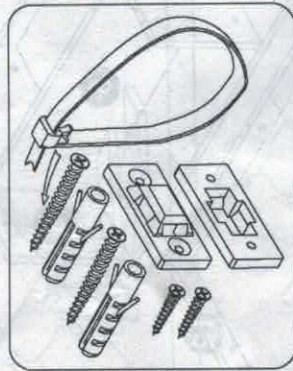


A=41

B=24

C=41

D=57



F=1



N=2



O=16

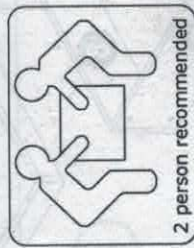
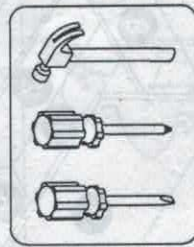


P=16



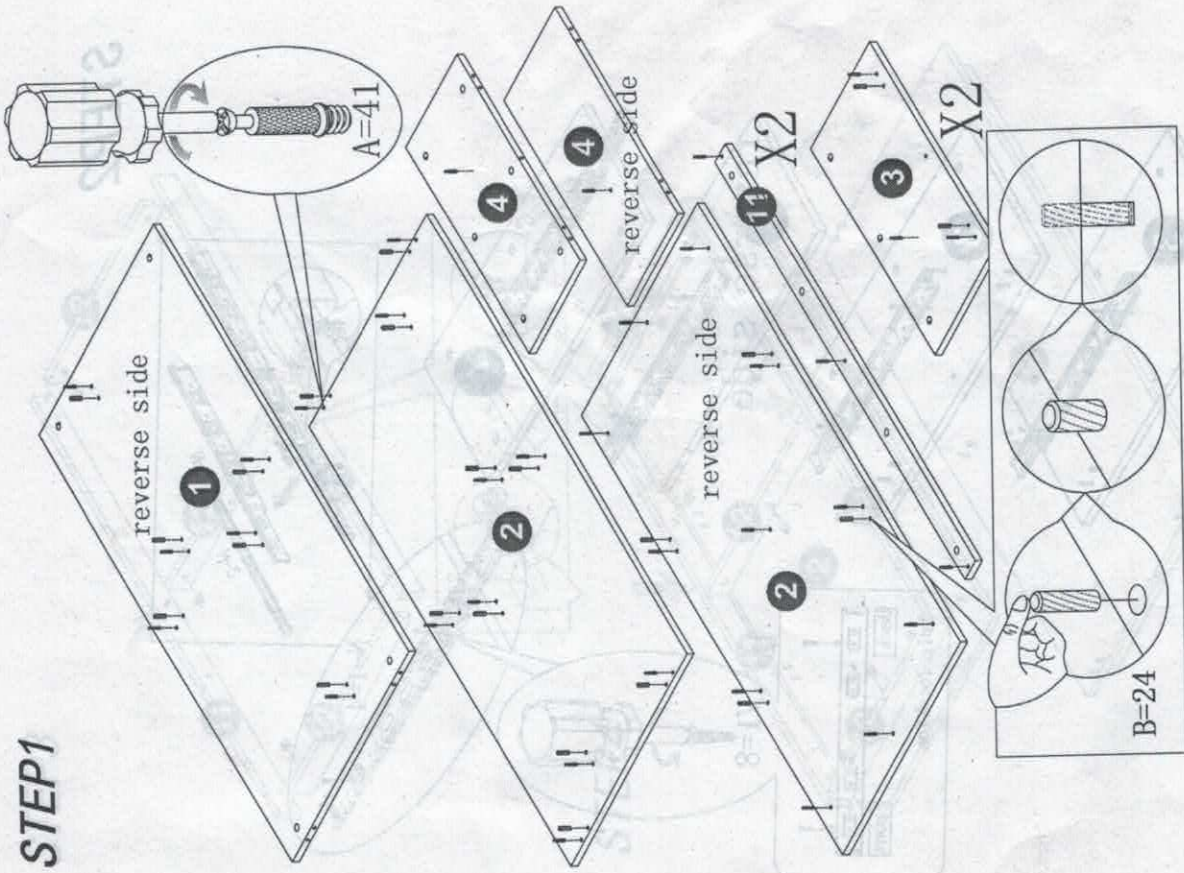
V1=16

# Tools Needed



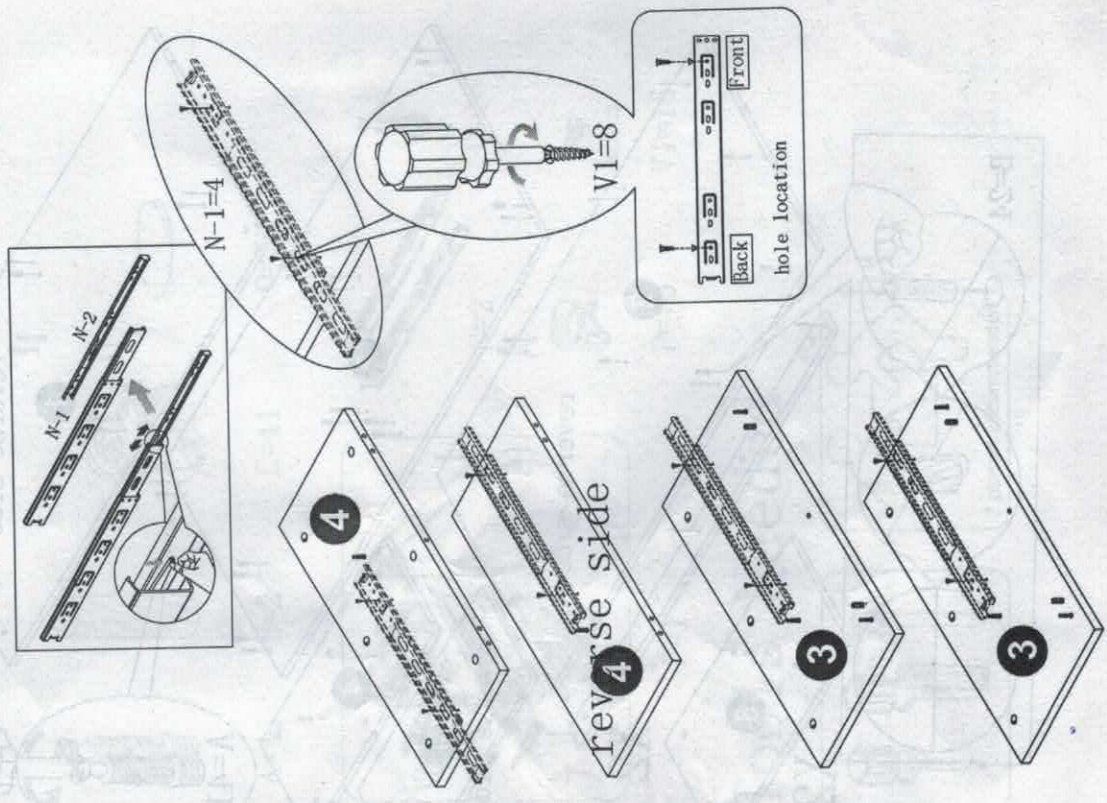
2 person recommended

# STEP 1

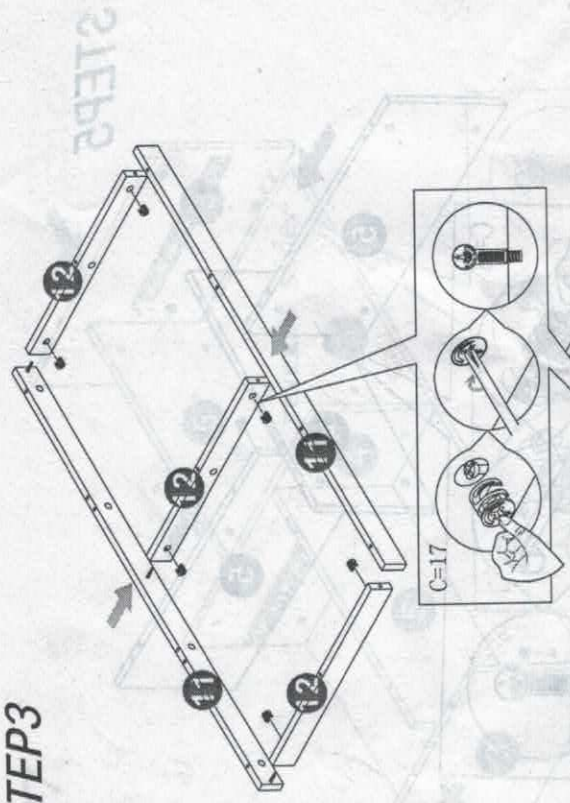




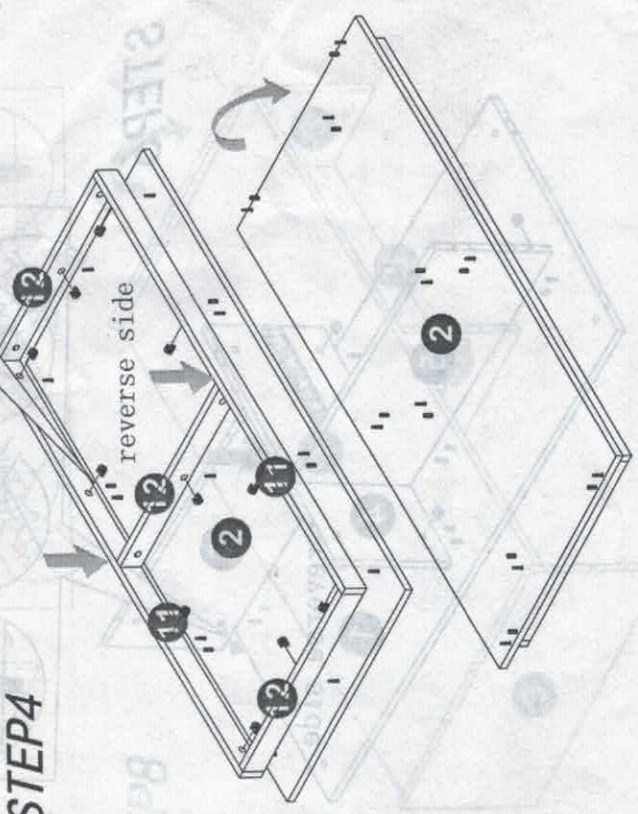
# STEP 2



# STEP 3



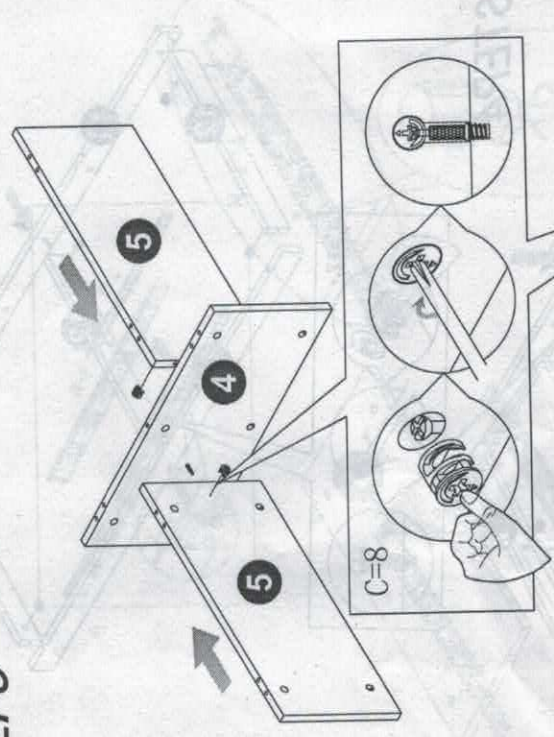
# STEP 4



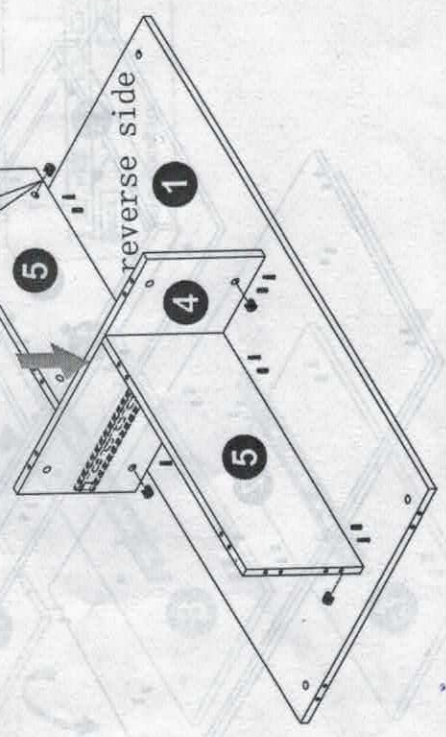


STEP 3

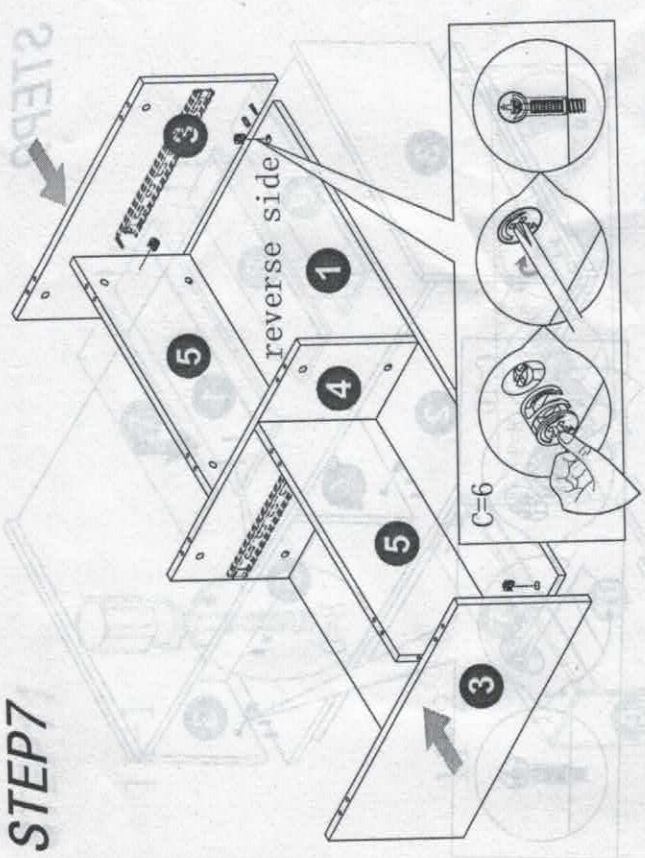
STEP 5



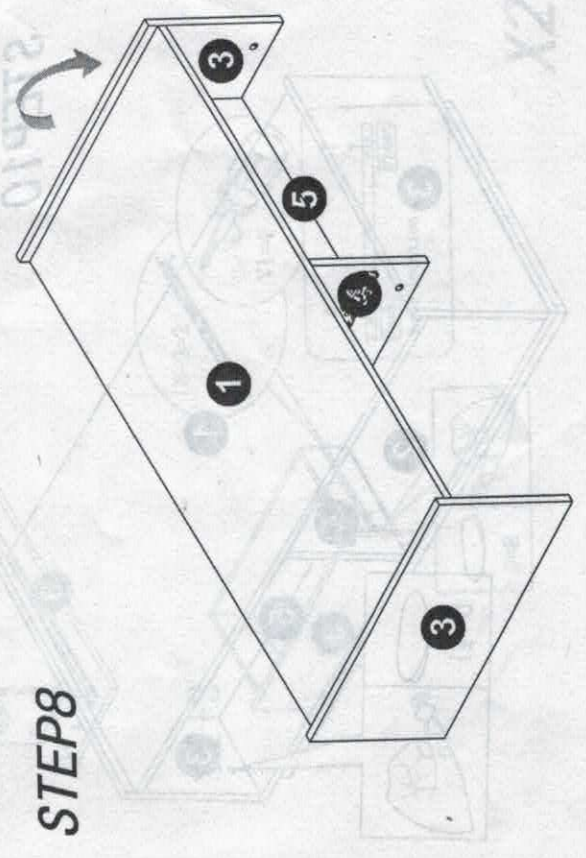
STEP 6



STEP 7

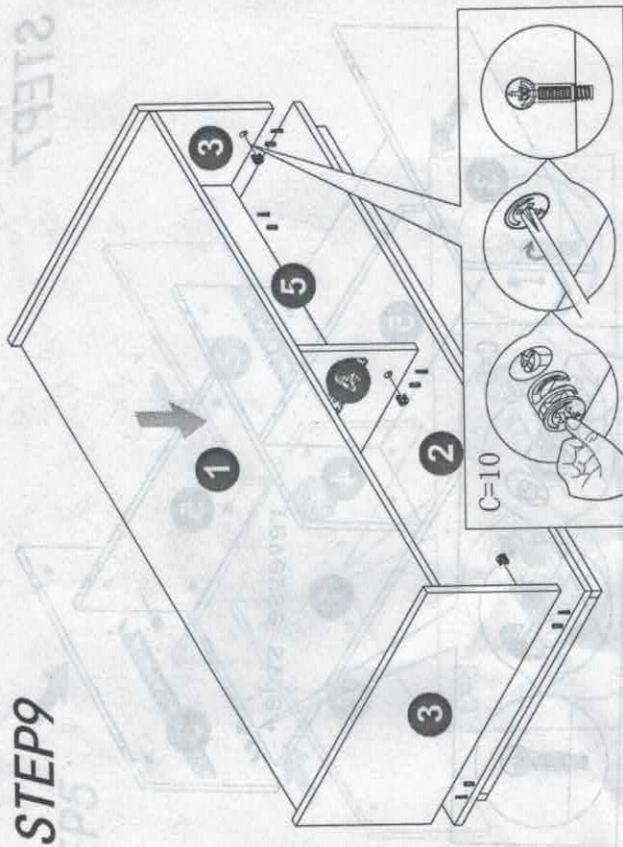


STEP 8

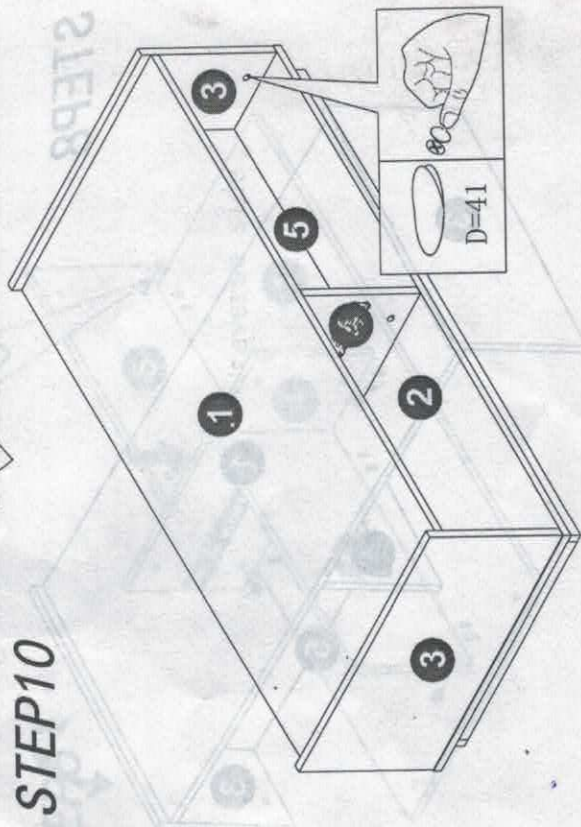




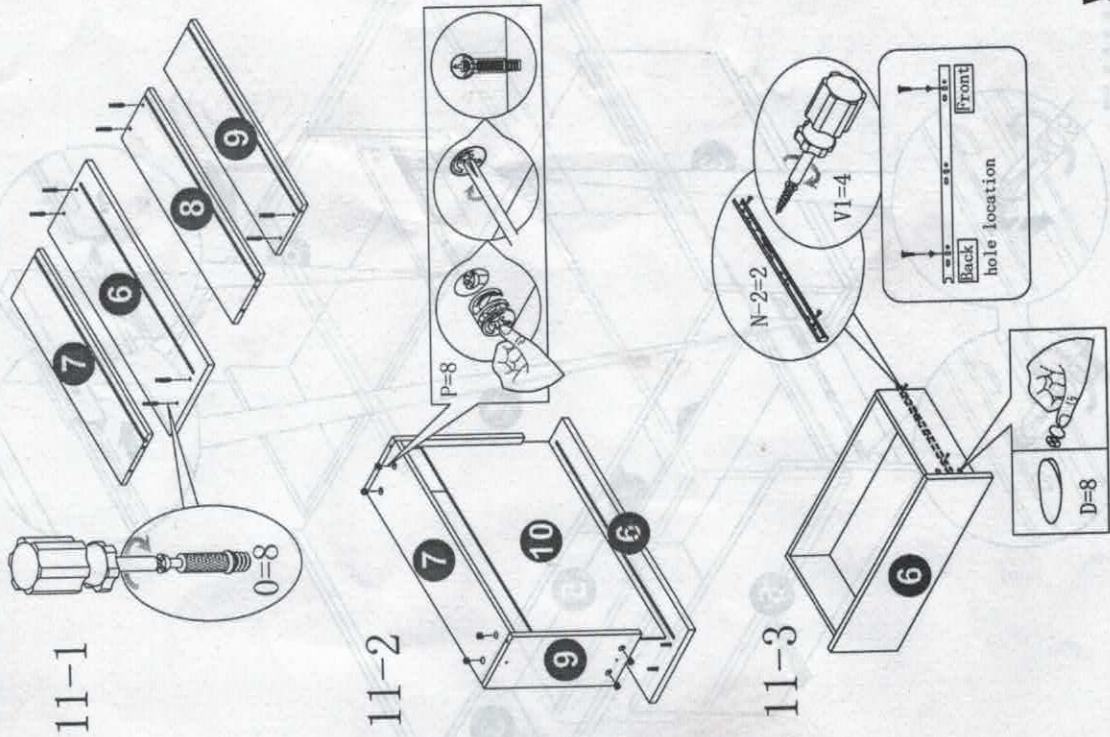
# STEP9



# STEP10

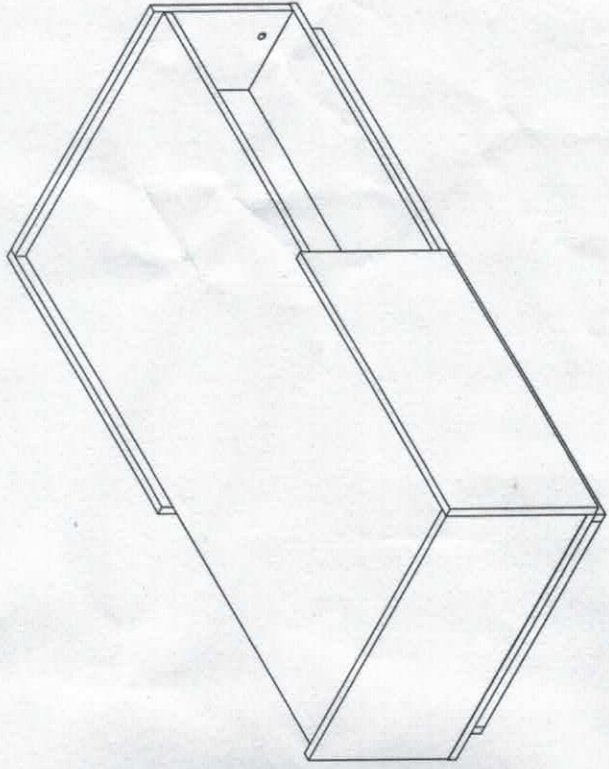


# STEP11



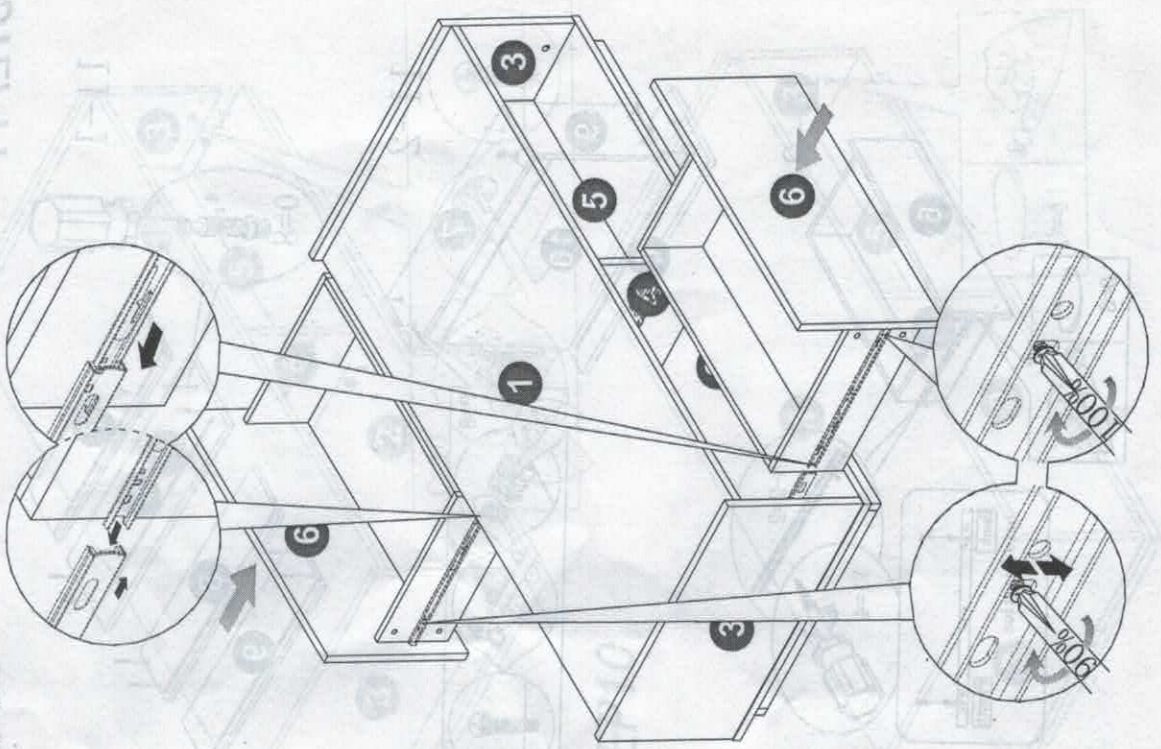
X2

STEP13



FINISH

STEP12



XS